

EIT-251-S-RXWMR

RX LCD COUNTERBALANCE KEYBOARD WALL MOUNT - SILVER

Within space-restrained environments, the RX Series is designed to offer adjustable reach in a compact design. An ideal solution for installation in clinics and exam rooms when space is at a premium.

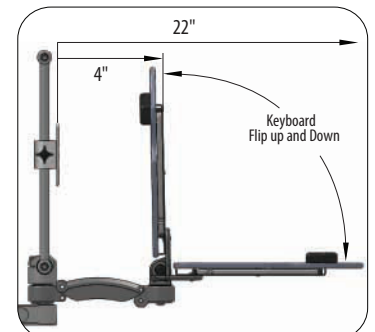
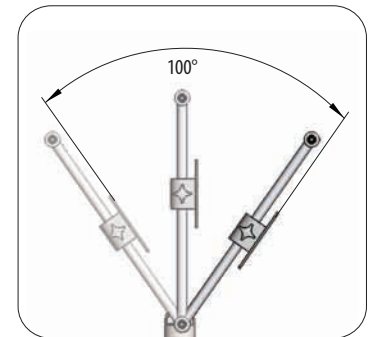
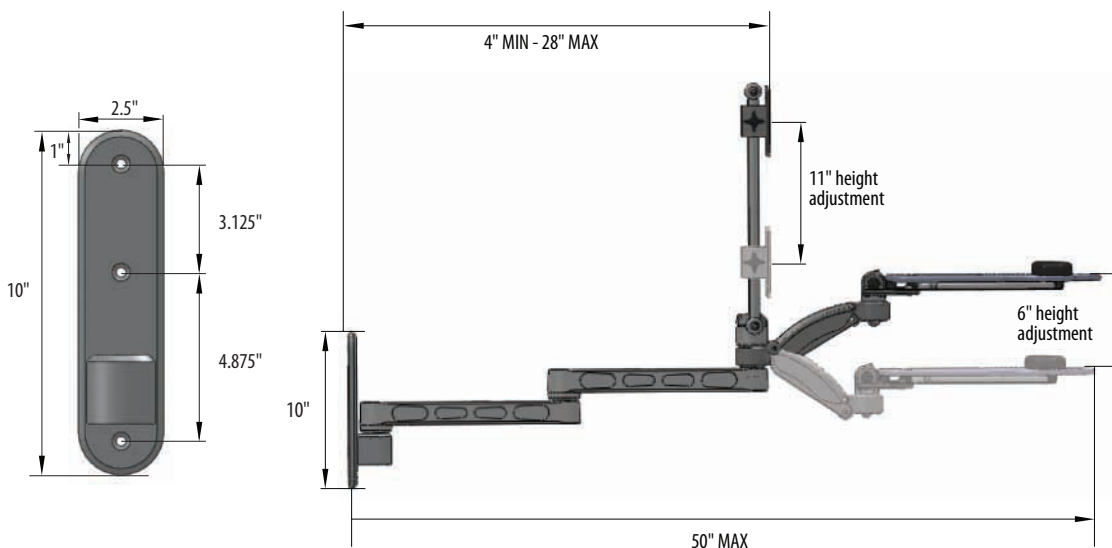
BENEFITS

- Low profile mount
- Smooth pivot points
- Height adjustable keyboard
- Integrated grab handle and gel wrist rest for comfortable positioning



- 1 Grab handle
- 2 Left and right mouse tray
- 3 Internal cable management
- 4 Thumb knob for adjustment

LCD HEIGHT ADJUSTMENT	LCD MAX WEIGHT LB KG	LCD ROTATION	LCD PIVOT	LCD TILT RANGE	MOUNTING STANDARD
11"	25 lbs	0 degrees	270 degrees	100 degrees	Vesa 75mm/100mm



SPECIFICATIONS

Shipping Weight: 27lbs

Box Dimensions: 10" x 16" x 20"

Product Warranty: Lifetime