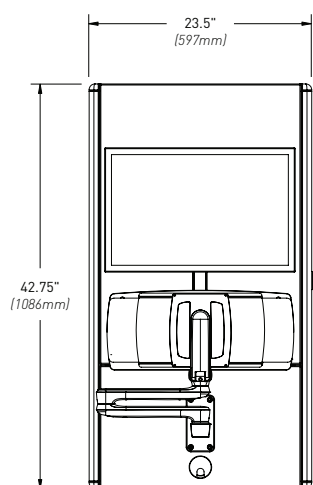
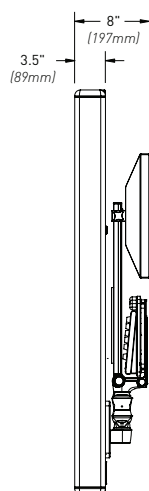


Enovate e128 Wallstation

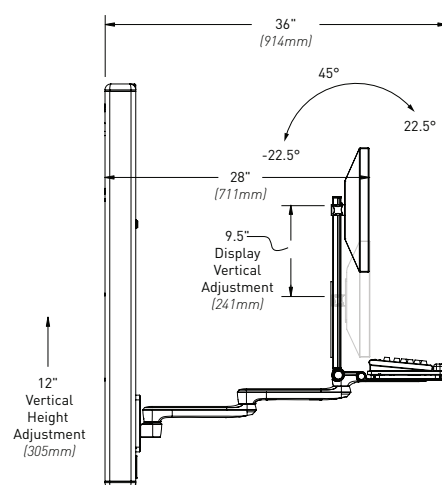
Wall Station with Articulating Arm



Front View - Stored



Side View - Stored



Side View - Extended

Features

- Made in the USA
- Articulating Arm
- 12" of Electronic Height Adjustment
- Keyed Lock CPU Compartment
- Six Color Options
- Infection Control & Antimicrobial Surfaces
- Mouse Holder
- Integrated cable management system
- Ergonomic wrist rest
- Mousing surface: L/R mouse tray

Available Accessories & Services

- Keyboard
- Mouse
- Extension Arm
- Assorted Brackets
 - » Scanner
 - » Mouse
 - » CPU
 - » Custom Plastic Brackets
- Installation
- Integration

Specifications

- Display Weight Capacity: 20 lbs (9kg)
- Display Pivot Range: 270°
- Display Tilt Range: 45°
- Display Height Adjustment: 9.5" (241mm)
- Display Arm Articulation: 270°
- Keyboard Weight Capacity: 5 lbs (2.3kg)
- Keyboard Pivot Range: 180°
- Articulation from Wall: 36" (914mm)
- Standard VESA: 75mm/100mm
- Max CPU Area Dimensions: 12"h x 12"w x 2.6"d (305mm x 305mm x 66mm)
- Keyboard Pivot Range: 270°
- Keyboard Tray Dim: 7" x 19.75" (178 mm x 502 mm)
- Mousing Surface Dim: 7" x 7" (178 mm x 178 mm)



Warranty

This product is subject to a five (5) years on all structural components. Please ask your local sales representative for details. The manufacturer and/or distributor will bear no responsibility for any injuries and damages during or after installation an Enovate product by a non-certified Enovate installation technician.