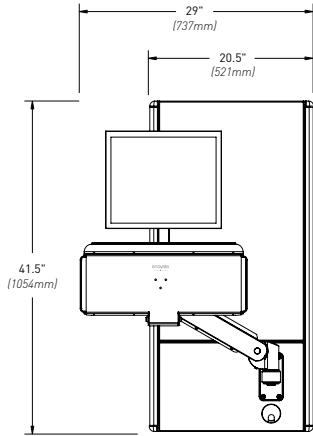
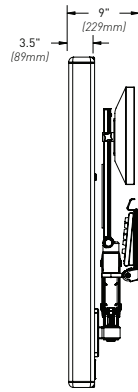


e130 Wallstation

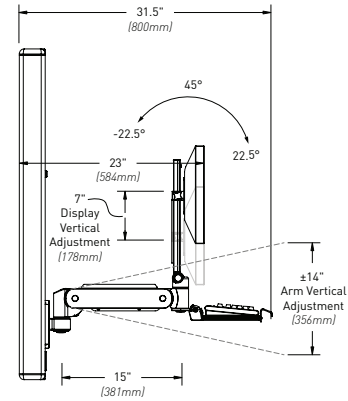
Wallstation with Articulating Wall Arm



Front View - Stored

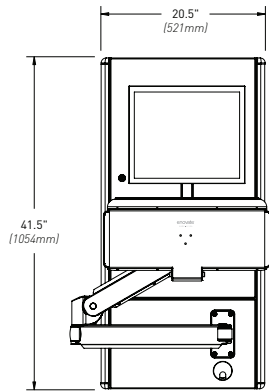


Side View - Stored

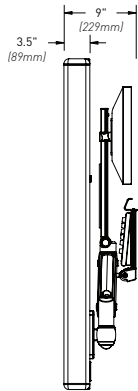


Side View - Extended

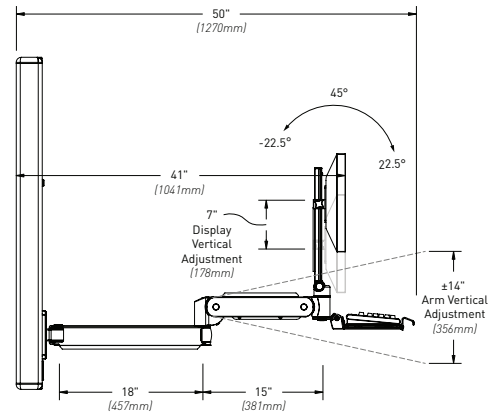
With Extension



Front View - Stored



Side View - Stored



Side View - Extended

Features

- Made in USA
- Articulating arm
- Antimicrobial surfaces
- Integrated cable management system
- Mouse holder
- Ergonomic wrist rest
- Mousing surface: left/right mouse tray

Specifications

- Display Weight Capacity: 20 lbs (9kg)
- Display Pivot Range: 270°
- Display Tilt Range: 45°
- Display Height Adjustment: 7" (178mm)
- Display Arm Articulation: 360°
- Keyboard Weight Capacity: 5 lbs (2.3kg)
- Keyboard Pivot Range: 180°
- Articulation from Wall: 28" (711mm)
 - » w/ Extension Arm: 47" (1194mm)

- Keyboard Tray Dim. 7" x 20" (178mm x 508mm)
- Mousing Surface Dim. 7" x 7.5" (178mm x 191mm)
- Standard VESA 75mm/100mm
- Vertical Height Adjustment ±14"

Available Accessories & Services

- Keyboard
- Mouse
- Extension Arm
- Assorted Brackets
 - » Scanner
 - » Mouse
 - » CPU
 - » Custom Plastic Brackets
- Installation
- Integration



Warranty

This product is subject to five (5) years on all structural components. Please ask your local sales representative for details. The manufacturer and/or distributor will bear no responsibility for any injuries and damages during or after installation an Enovate product by a non-certified Enovate installation technician.