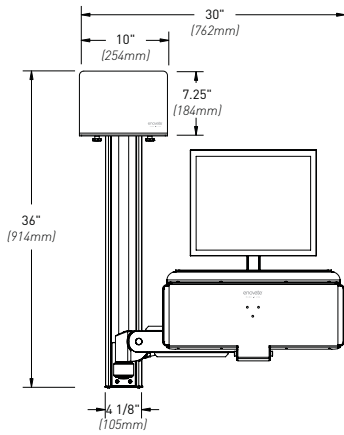
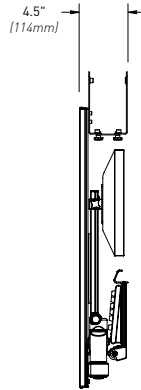


# Enovate 997

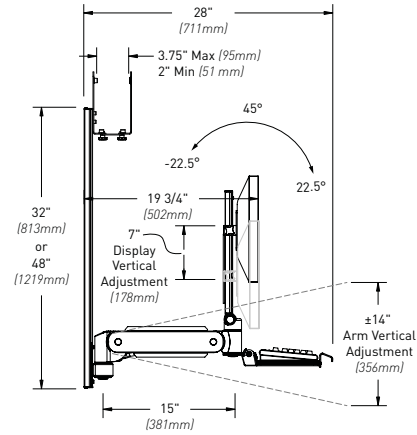
## Articulating Wall Arm



Front View - Stored

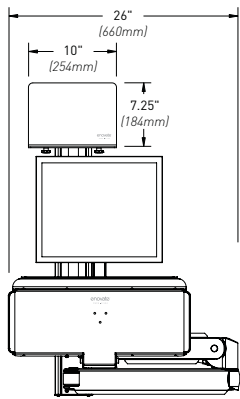


Side View - Stored

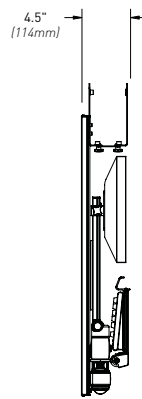


Side View - Extended

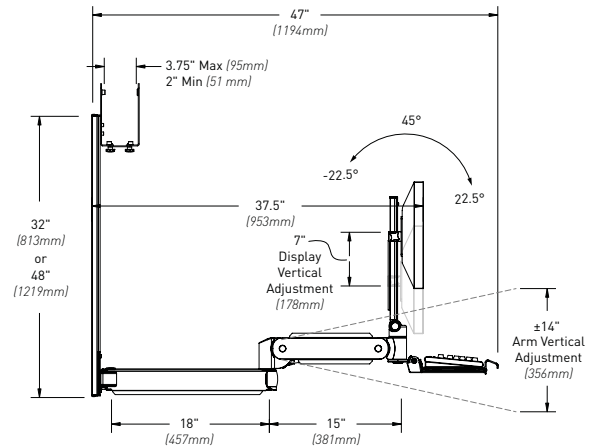
### With Extension



Front View - Stored



Side View - Stored



Side View - Extended

### Features

- Made in USA
- Articulating arm
- Antimicrobial surfaces
- 32" or 48" Wall Track
- Integrated cable management system
- Mouse holder
- Ergonomic wrist rest
- Mousing surface: left/right mouse tray

- Vertical Height Adjustment: ±14"
- Standard VESA: 75 mm/100 mm
- Keyboard Tray: 7" x 20" (178 mm x 508 mm)
- Mousing Surface: 7" x 7.5" (178 mm x 191 mm)
- Optional Extension Arm: 18" (457 mm)

### Articulating Arm Specifications

- Display Weight Capacity: 20 lbs (9 kg)
- Display Pivot Range: 180°
- Display Tilt Range: 45°
- Display Height Adjustment: 7" (178 mm)
- Display Arm Articulation: 360°
- Keyboard Weight Capacity: 5 lbs (2.3 kg)
- Keyboard Pivot Range: 180°
- Articulation from Wall: 28" (711 mm)
  - » w/ Extension Arm: 47" (1194 mm)

### Available Accessories & Services

- Keyboard
- Mouse
- Wall Tracks
- Extension Arm
- Assorted Brackets
  - » Scanner
  - » Mouse
  - » CPU
  - » Custom Plastic Brackets
- Installation
- Integration

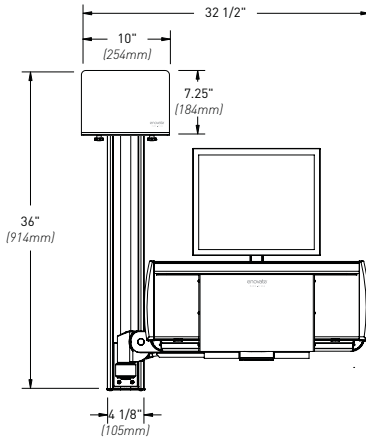


### Warranty

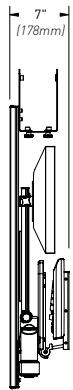
This product is subject to a five (5) years on all structural components. Please ask your local sales representative for details. The manufacturer and/or distributor will bear no responsibility for any injuries and damages during or after installation an Enovate product by a non-certified Enovate installation technician.

# Enovate 997 with eDesk

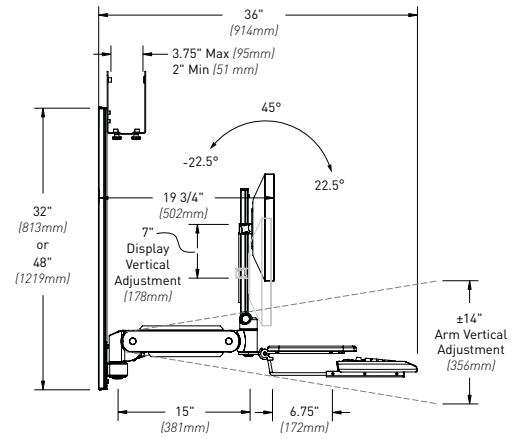
Articulating Wall Arm



Front View - Stored

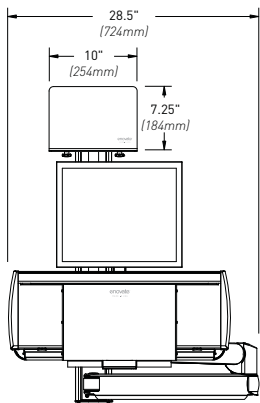


Side View - Stored

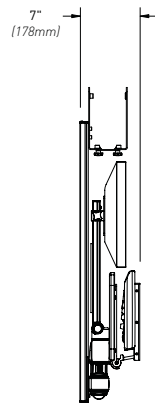


Side View - Extended

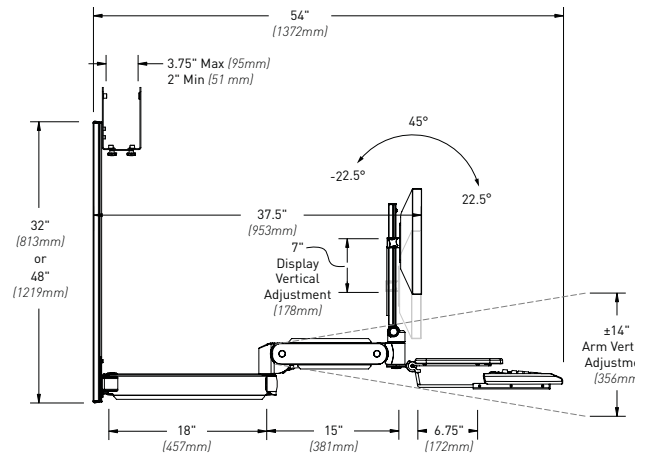
## With Extension



Front View - Stored



Side View - Stored



Side View - Extended

## Features

- Made in USA
- Articulating arm
- Antimicrobial surfaces
- 32" or 48" Wall Track
- Integrated cable management system
- Ergonomic wrist rest

- Standard VESA: 75mm/100mm
- Vertical Height Adjustment: ±14"
- Keyboard Tray Dim. 9" x 24" (229 mm x 610 mm)

## Available Accessories & Services

- Keyboard
- Mouse
- Wall Tracks
- Extension Arm
- Assorted Brackets
  - » Scanner
  - » Mouse
  - » CPU
  - » Custom Plastic Brackets
- Installation
- Integration

## Articulating Arm Specifications

- Display Weight Capacity: 20 lbs (9kg)
- Display Pivot Range: 180°
- Display Tilt Range: 45°
- Display Height Adjustment: 7" (178mm)
- Display Arm Articulation: 360°
- Keyboard Weight Capacity: 5 lbs (2.3 kg)
- Keyboard Pivot Range: 180°
- Articulation from Wall: 36" (914mm)
  - » w/ Extension Arm: 54" (1372mm)



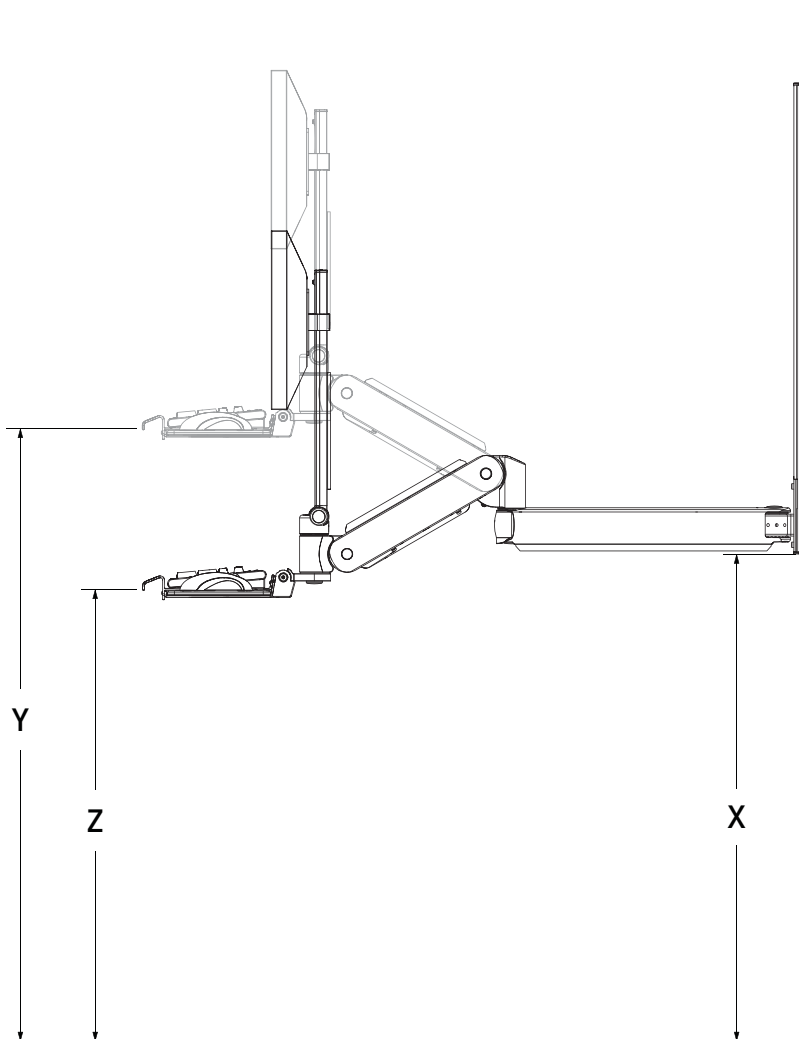
## Warranty

This product is subject to a five (5) years on all structural components. Please ask your local sales representative for details. The manufacturer and/or distributor will bear no responsibility for any injuries and damages during or after installation an Enovate product by a non-certified Enovate installation technician.

enovate™

# Enovate 997 - Mounting Table

Articulating Wall Arm



X Mounting Height	Y Max Keyboard Height	Z Min Keyboard Height
36.5"	46"	32"
32.5"	42"	28"
28.5"	38"	24"